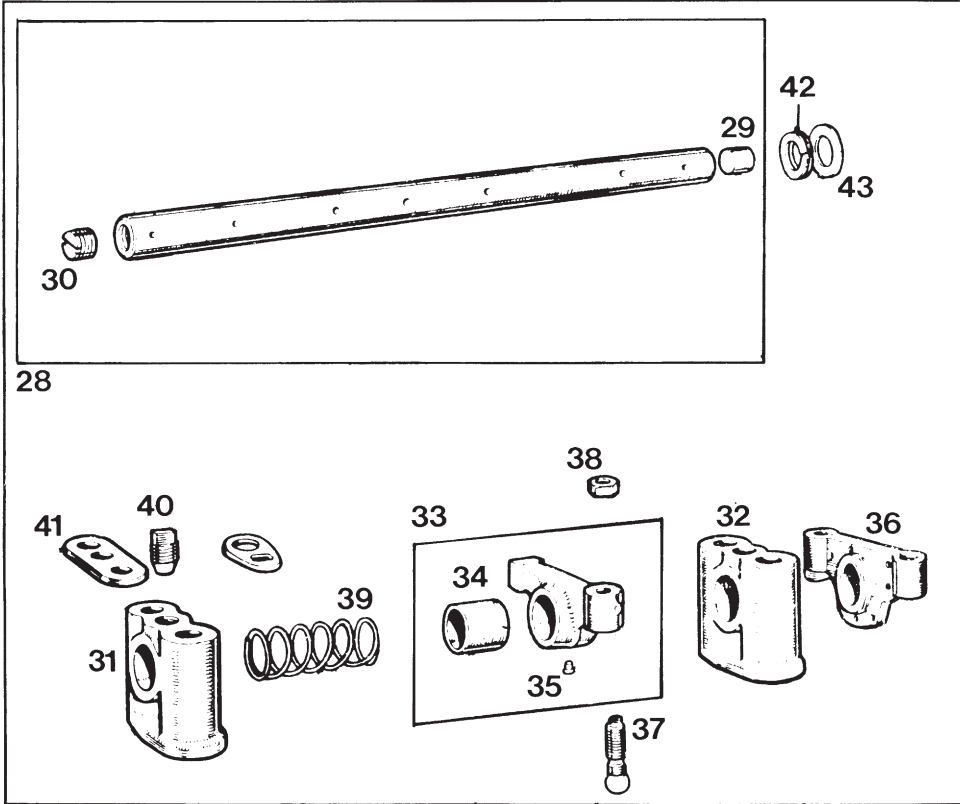
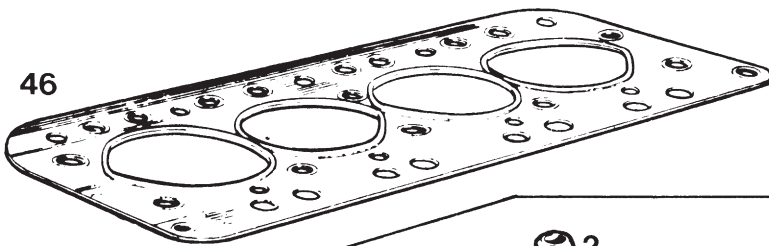
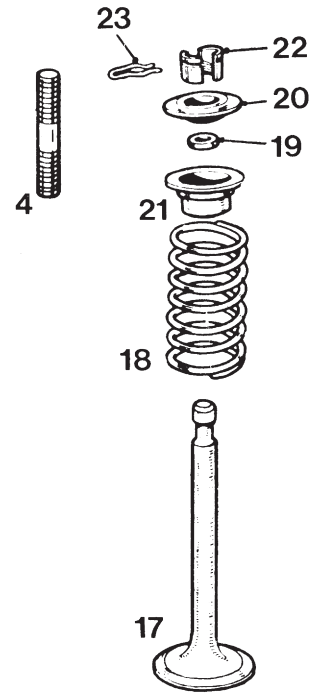


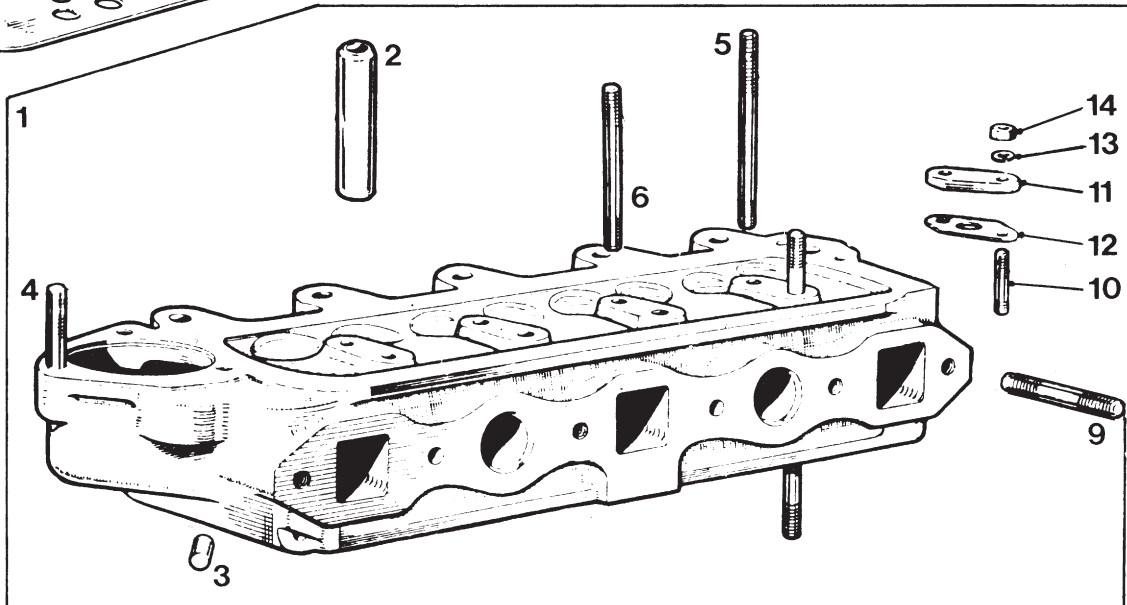
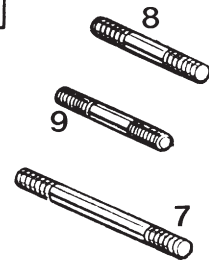
27



28



46



Part Number	ESM Order Ref.	Illus. No.	Description	Remarks
9M170	9M401L	1	Cylinder head - lead free	
9M172	10M170	2	Guide - inlet and exhaust	
9M173	10M171	3	Plug - oil hole	
9M174	FIX113	4	Stud - water outlet elbow - 5/16" UNC/ 5/16" UNF	
9M175	FIX114	5	Stud - rocker bracket - long - 3 1/8"	
9M176	FIX115	6	Stud - rocker bracket - short - 2 5/8"	
9M177	FIX112	7	Stud - exhaust manifold - long - 5/16" UNF	
9M178	FIX112	8	Stud - exhaust manifold -short	
9M179	FIX112	9	Stud - exhaust manifold - medium - 5/16" UNF	
9M180	FIX116	10	Stud - cover plate or heater control tap	
9M181	10M177	11	Plate - cover - heater control tap	
9M182	HTR104	12	Gasket	
9M183	FIX156	13	Washer - spring - 1/4"	
9M184	FIX137	14	Nut - cover plate stud - 1/4" UNF	
9M185	9M181	17	Valve - inlet	
9M186	10M182	17	Valve - exhaust	
9M187	10M183	18	Spring - Valve	
9M188	10M186	19	Seal - oil	
9M189	10M184	20	Cup - valve spring	
9M190	10M185	21	Shroud - guide and oil seal retainer	
9M191	10M187	22	Collet (cotter) - pair	
9M192	10M188	23	Circlip	
9M193	10M189	27	Shaft assembly - valve rocker	
9M194	10M190	28	Shaft	
9M195	10M191SH	29	Plug - plain	
9M196	10M192SH	30	Plug - screwed	
9M197	9M197	31	Bracket - rocker shaft - tapped	
9M198	9M198	32	Bracket - rocker shaft - screwed	
		33	Rocker valve	Use 9M201
9M199	10M196	34	Bush	
9M200	-	35	Rivet	
9M201	10M197	36	Rocker - valve - bushed - pressed steel	
9M202	10M198	37	Screw - tappet adjusting	
9M203	10M199	38	Nut - lock	
9M204	10M200	39	Spring - spacing	
9M205	10M201	40	Screw - locating - rocker shaft	
9M206	10M202	41	Plate - rocker bracket locating	
9M207	10M204	42	Washer - double coil	
9M208	10M205	43	Washer - plain	
9M211	10M208	46	Head Gasket	